



GP Series

GP12340 Datasheet

12V Top Terminal VRLA-AGM



Valve Regulated Lead Acid (VRLA) Battery

Maintenance-Free, Absorbent Glass Mat (AGM) Technology for Efficient Gas Recombination of up to 99%

Pure Lead Construction and Proprietary Elements

Designed for Float Service Standby Power Applications

Built in Accordance with IEC 61056-1/2:2012, UL1973 Listed (MH66728) and UL1989 Recognized (MH14533)

Certified by TUV NORD according to ISO 9001:2015



Specifications

Voltage (Vdc)	12
Ah Capacity (8-Hr 1.75 VPC @ 25°C)	34.7
Ah Capacity (20-Hr 1.75 VPC @ 25°C)	37.6
Ah Capacity (8-Hr 1.80 VPC @ 25°C)	34.1
Max Charge Current (A)	10.2
Max Discharge Current (A)	380
Short Circuit Current (A)	915
Internal Resistance (mΩ)	Approx. 9.5
Terminal Type	B5 terminal to accept M6 bolt
Terminal Torque	51.7±10.3 Kgf·cm / 44.9±9.0 Lbf·in / 5.10±1.0 N·m
Container Material	ABS (UL 94-HB) & Flame Retardant (94-V0) available upon request.
Weight (kg. / lb., Approx.)	10.48 / 23.10
Length (L) (mm / in)	195.6±2.0 / 7.70±0.08
Width (W) (mm / in)	130.0±1.5 / 5.12±0.08
Height (H) (mm / in)	178.3±2.0 / 7.02±0.08
Design Life	Up to 5 Years in Standby Service at 25°C. Eurobat (20°C): 3-5 Years Standard Commercial
Operating Temperature	Nominal: 25°C (77°F) Discharge: -15°C - 50°C (5°F-122°F) Charge/Storage: -15°C - 40°C (5°F - 104°F)
Float Charging Voltage	13.5 - 13.8 Vdc/battery 25°C (77°F)
Eq. Charging Voltage	14.4 - 15.0 Vdc/battery 25°C (77°F)
Self-Discharge	Less than 10% after 90 days, can be stored up to 6 months at 25°C (77°F); Fully recharging is required before usage, and charged sooner if stored at higher temperature than 25°C (77°F).



GP Series

GP12340 Datasheet

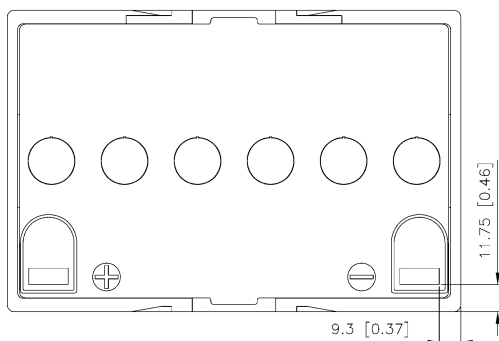
12V Top Terminal VRLA-AGM

Constant Current Discharge Characteristics Per Battery: Amperes (25°C, 77°F)

F.V/Time	5MIN	10MIN	15MIN	30MIN	60MIN	90MIN	2HR	3HR	5HR	8HR	10HR	20HR
10.02V (1.67 VPC)	134	95.5	72.8	42.6	24.7	17.9	14.2	10.2	6.62	4.37	3.58	1.90
10.50V (1.75 VPC)	112	84.2	67.9	41.1	24.1	17.6	14.0	10.0	6.54	4.33	3.55	1.88
10.80V (1.80 VPC)	99.9	75.6	62.4	39.3	23.4	17.1	13.7	9.91	6.43	4.26	3.49	1.86

Constant Power Discharge Characteristics Per Battery: Watts (25°C, 77°F)

F.V/Time	5MIN	10MIN	15MIN	30MIN	60MIN	90MIN	2HR	3HR	5HR	8HR	10HR	20HR
10.02V (1.67 VPC)	1339	1014	804	511	299	216	171	122	79.1	52.4	43.0	22.9
10.50V (1.75 VPC)	1198	925	757	494	293	213	169	120	78.4	52.0	42.6	22.7
10.80V (1.80 VPC)	1088	852	702	475	285	209	167	119	77.4	51.3	42.1	22.5



Detail A Drawing(3:1)

